

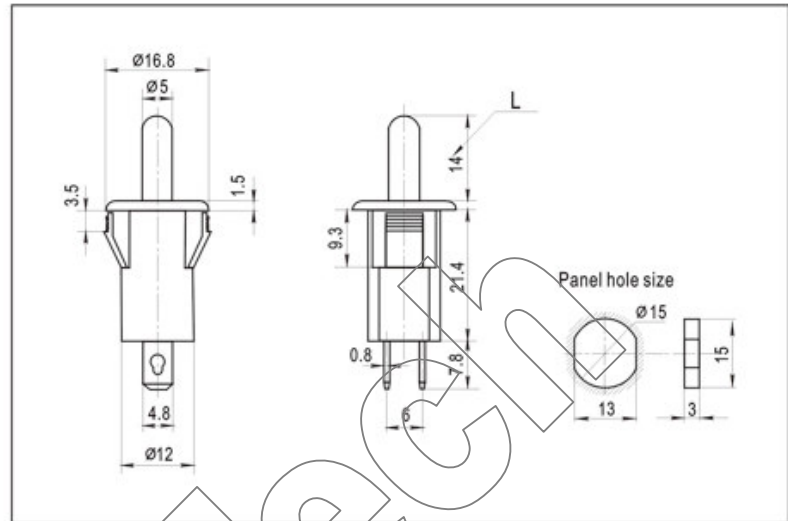
Push Switch (PSL-2 Series)



SPECIFICATIONS

- (H): 16A 250VAC T105
10A 250VAC
- (H): 10A 250VAC T85
6A 250VAC

ROHS Compliance



EXPLANATION MODEL NUMBER

PSL - 2 - G - BK - P8 - L1 - L

